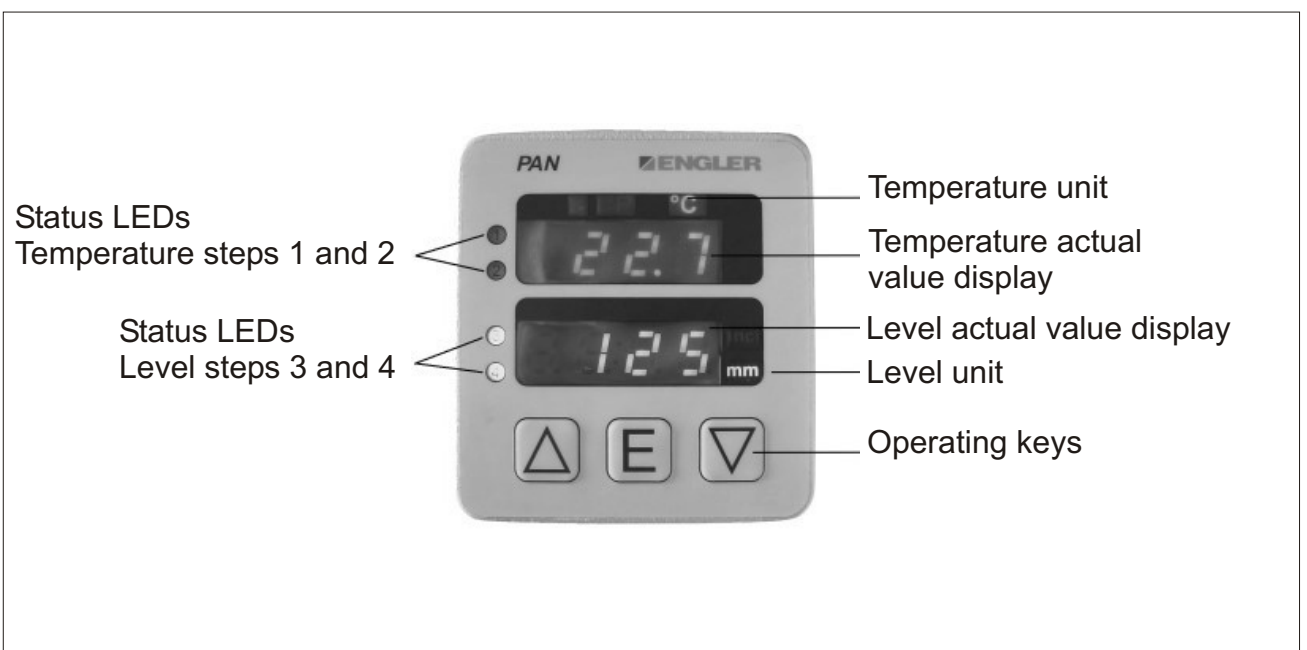
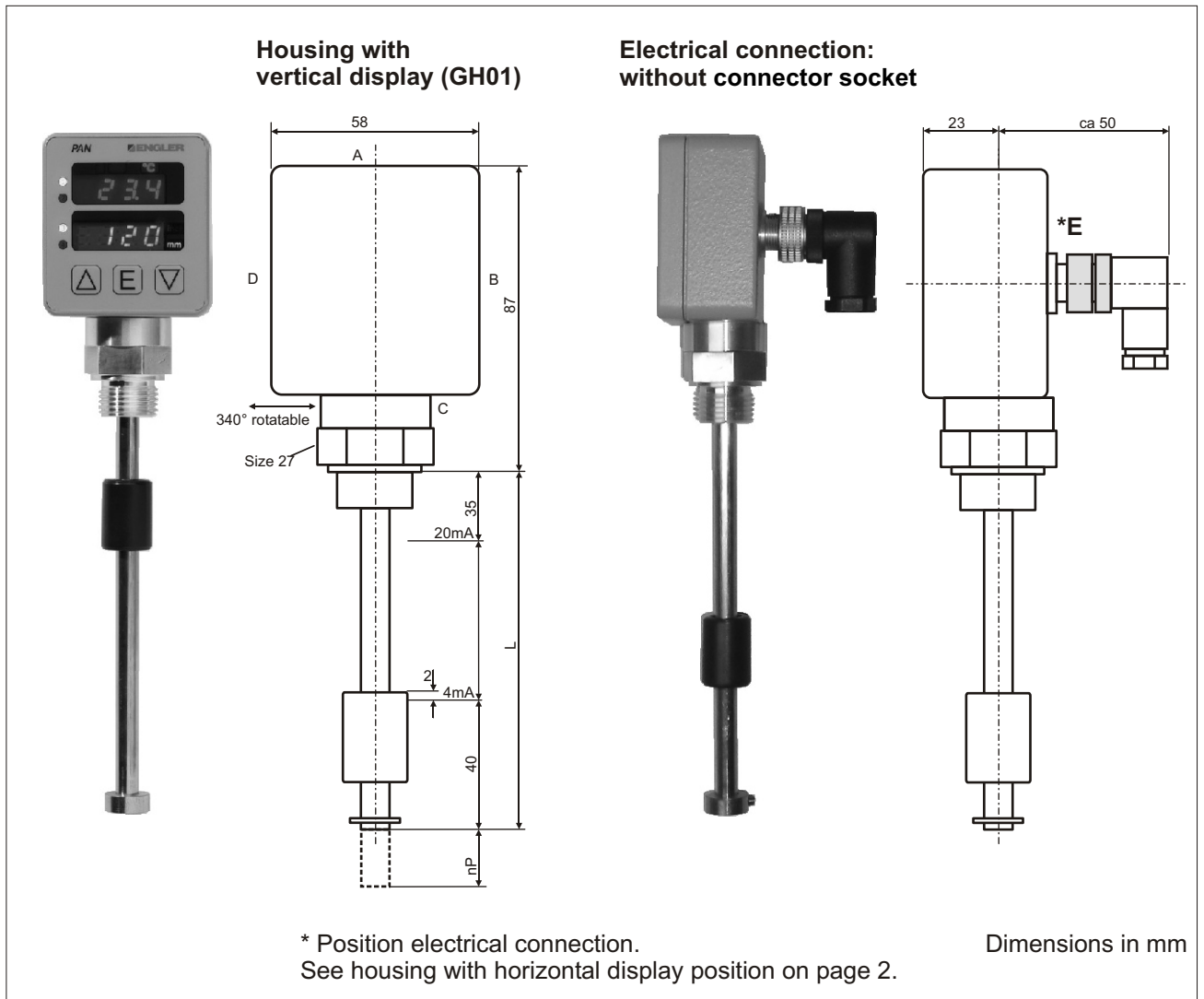
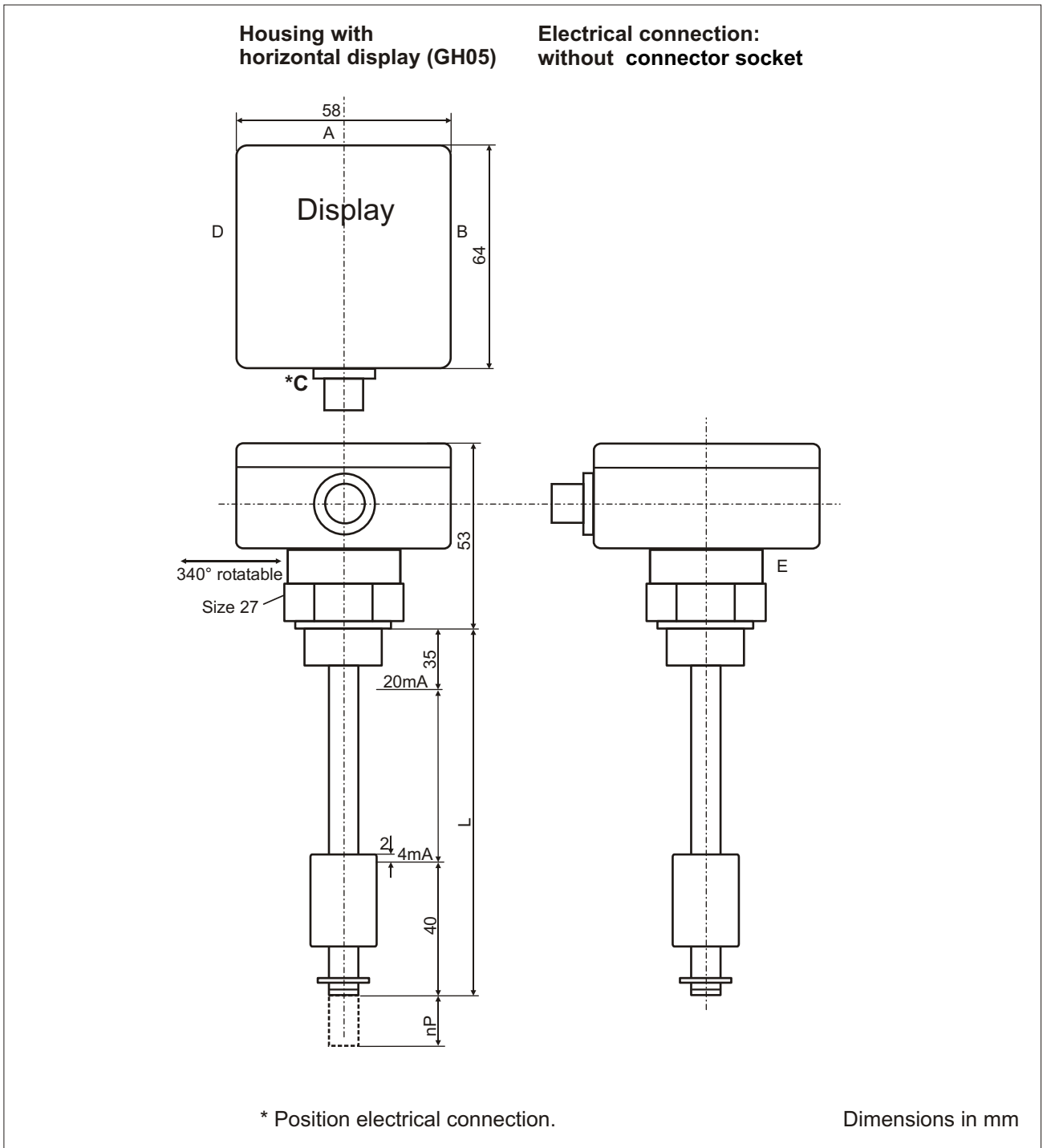


Temperature and level measurement PAN-1...



Temperature and level measurement PAN-1...

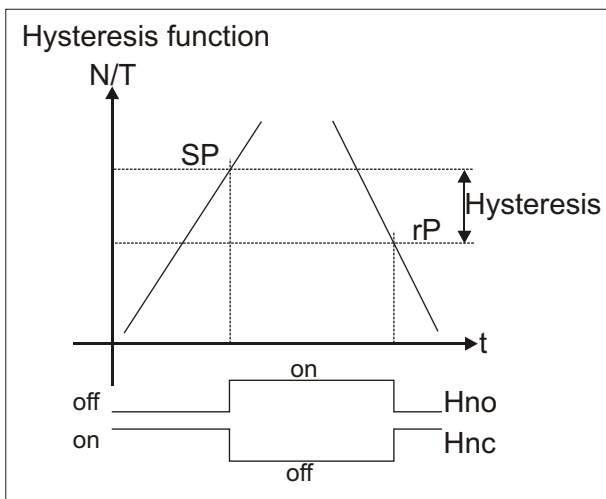
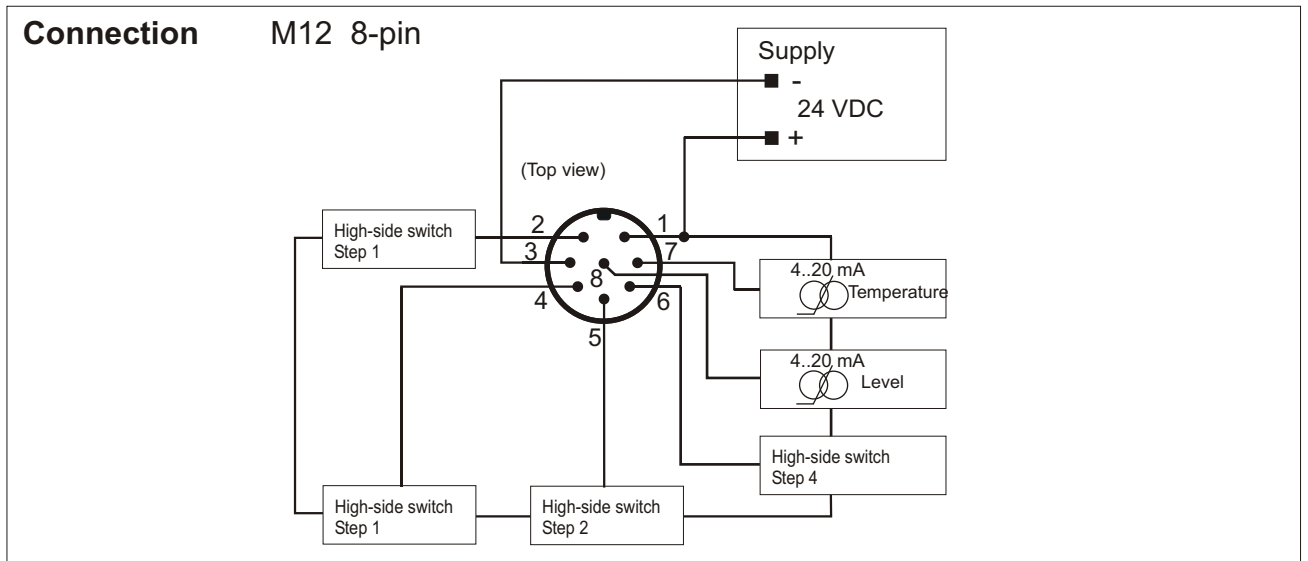


Temperature and level measurement PAN-1...

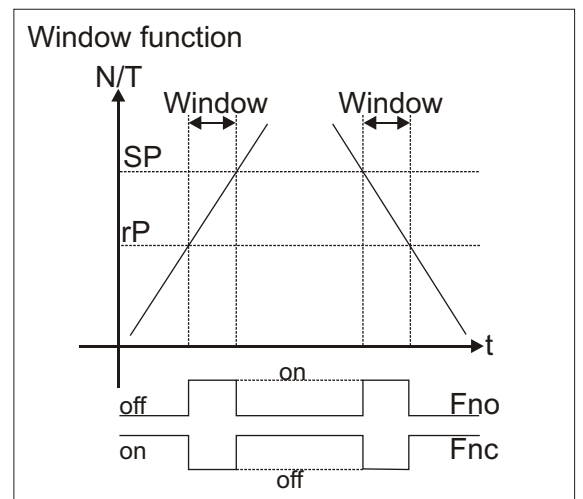
Technical data

Housing:	Aluminium, colour grey RAL 7001.
Electrical connection:	Plug M12 8-pin with switching outputs and analog outputs. Others possible on request.
Fastening:	1/2" aluminium. Others possible on request.
Sliding tube:	MS dia. 8mm Others possible on request.
Float switch:	NBR dia. 17.5x25mm.
Display:	Actual value displays: Two 4-digit LEDs. Red: Temperature, green: Level. Units display: With changeover facility, two each for temperature and level. Standard for temperature: °C + °F. Standard for level: mm + inch. Status displays: Two yellow LEDs each for temperature and level.
Operating display:	Actual value displays: Yellow status LEDs light up in the work position.
Fault display:	The relevant actual value display indicates Err.
Sensor:	Temperature measuring element: PT1000 as per DIN EN 60751 KL.B Precision 0.3°K; Display resolution 0.1°K Level measuring element: Reed chain grid 5 mm. Level switching point deviation ± 1 mm Repeat accuracy 100% Sensor standard lengths L: 250 mm; 370 mm; 520 mm. Sensor length to individual customer order in 5 mm grid.
Setting range:	Temperature: SP / rP -15°C up to 100°C in 0.1°C steps. Level: SP / rP L - 75 mm = Measurement range in 5mm steps. The range between the tank floor and bottom edge of the measurement rod can be entered as a zero point value (nP). This causes the display and switching points to refer to the actual level.
Measurement range:	Temperature: max. -20°C up to 150°C in 0.1°C. Level: L - 75 mm im 5 mm grid.
Menu:	Safe menu access (no unintentional adjustment). Safe interrogation of main parameters. Easy menu prompting through indication of the menu point and value.
Supply:	24 Volt DC ± 10% smaller than 100 mA.
Output:	2 high-side outputs per physical variable. Output functions hysteresis and window selectable. Voltage drop smaller than 2 VDC. Constant current 400 mA, short circuit proof, clocked, polarity reversal proof, thermal protection. Analog output temperature: 4 - 20 mA. Adjustable range. Analog output level: 4 - 20 mA. Adjustable range.
Pressure:	1 bar
Operating temperature:	Above process connection -15 - 70°C. In the medium: -15°C - 100°C Higher temperatures available on request.
Protection rating:	IP 65

Temperature and level measurement PAN-1...



N/T = Level/temperature
 SP = Switching point
 rP = Reset point
 Hno = Hysteresis n.o. contact
 Hnc = Hysteresis n.c. contact



N/T = Level/temperature
 SP = Switching point
 rP = Reset point
 Fno = Window function n.o. contact
 Fnc = Window function n.c. contact

Temperature and level measurement PAN-1...

Order key

	Example:	PAN-1.	GH01.	AS05.	BE04.	RH01=250.	SW20.	SI05
Temperature and level measurement with two 4-digit LED displays	PAN-1							
Housing								
Al, 60x60x30mm, vertical display			GH01					
Al, 60x60x30mm, horizontal display			GH05					
Electrical connection without connector sockets								
M12, 8-pin, position E, display vertical				AS05				
M12, 8-pin, position C, display horizontal				AS10				
Fastening								
1/2" Aluminium rotatable, position C, display vertical					BE04			
3/4" Aluminium rotatable, position C, display vertical					BE05			
1/2" Aluminium rotatable, position E, display horizontal					BE19			
3/4" Aluminium rotatable, position E, display horizontal					BE20			
Sensor length L								
						RH 01 – Tube brass, dia.8mm		
						RH 02 – Tube stainless steel, dia.8mm		
						RH 03 – Tube brass, dia.12mm		
Standard length in mm						RH01/RH02=250		
Standard length in mm						RH01/RH02=370		
Standard length in mm						RH01/RH02=520		
Length in mm according to customer specification in 5mm grid						RH01/02/03=...		
Float								
NBR, cylinder, ø17,5x25 with centre ring (S20)							SW20	
PP, cylinder, ø35x40mm (S8)							SW08	
Function output								
4x high side 400 mA								SI05
4x high side 400 mA + 2x analog 4 - 20mA								SI06

Connector socket separately on request (also with ready-made cable).